

NEW PRODUCTS 2020



Premium V-FD-87h

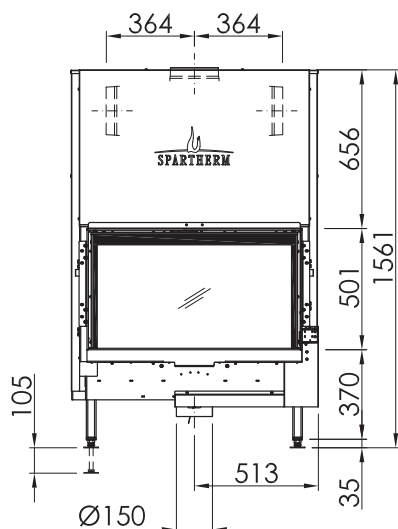
- Unobstructed view of the firebox thanks to the concealable frame and hidden handle solution
- Impressive flame pattern due to ideal combustion
- Double glazing for high firebox temperature, clean windows and excellent heat shielding between the unit and the surrounding living space.
- Flexible connection options thanks to heat exchanger with collar
- State-of-the-art low-friction sliding mechanism for optimum refuelling convenience
- High full-surface contact pressure of the door on the frame for combustion without an air leak
- Optional combustion air adjustment using manual operation or automatic combustion controls (operation via app or display)
- Primary air from the bottom sills creates an appealing firebed and reduces the amount of ash

Model	Net price [€]
Premium V-FD-87h	5.990,00

Optional accessories	Net price [€]
S-Thermatik NEO	1.290,00
S-ESAM 2.5	1.130,00

Technical data	Manual operation	S-Thermatik NEO	Post-heating box
Nominal output	10.6 kW	10.6 kW	11.1 kW
Performance range	7.4 - 13.8 kW	7.4 - 13.8 kW	7.8 - 14.4 kW
Dimensions	1021 x 640 x 1561 mm		
Weight	approx. 360 kg		
Flue gas connection	Ø 200 mm		
Door function	push-up		
Log length	33 cm		
Optional	eboris 1300 black		

Compliant with the requirements of:
DIN 13229, DIN plus, agreement according to art. 15a of Austrian B-VG, 2nd level of German immission protection regulation BImSchV

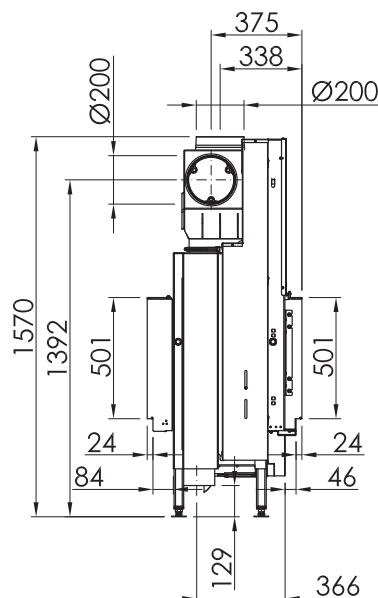


Accessories:

- The optional convection air housing allows convection air to be distributed to various rooms through flexible tubes.

Optional accessories:

- S-ESAM 2.5 - the remote-controlled automatic door opener permits convenient refuelling with wood
- S-Thermatik NEO - the ultimate combustion control - maximum ease of use through operation via app or display



Premium V-2L-55h / Premium V-2R-55h

- Double air flap to ensure ideal dosing of the differing combustion air volumes
- Low installation height thanks to flat header and low installation depth
- Jet-black, scratch-proof varnish for durable and beautiful framing of the fire
- Window washing, highly pre-heated combustion air for long-lasting clear view of the fire
- 6-sided, 6 mm solid steel panel for a minimalist design
- Patented window cleaning system

Model	Net price [€]
Premium V-2L-55h	4.090,00
Premium V-2R-55h	4.090,00

Optional accessories	Net price [€]
S-Thermatik NEO	1.290,00
S-ESAM 2.5	1.130,00
S-KAMATIK 2	480,00

Technical data	Manual operation	S-Thermatik NEO	Post-heating box
Nominal output	7.2 kW	7.1 kW	10.0 kW
Performance range	currently undergoing testing		
Dimensions	708 x 597 x 1561 mm		
Weight	approx. 265 kg		
Flue gas connection	Ø 180 or 200 mm		
Door function	push-up		
Log length	33 cm		
Optional	eboris 1300 black, eboris-akku		

Compliant with the requirements of:
DIN 13229, DIN plus, agreement according to art. 15a of Austrian B-VG, 2nd level of German immission protection regulation BImSchV

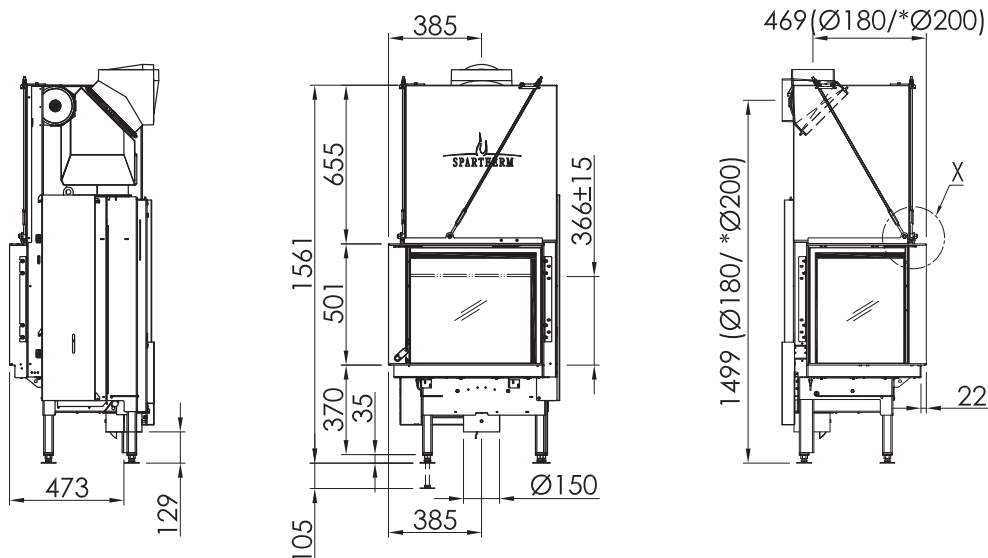


Accessories:

- 90° flue gas connection for flue tube connection on the side
- The optional convection air housing allows convection air to be distributed to various rooms through flexible tubes.

Optional accessories:

- S-ESAM 2.5 - the remote-controlled automatic door opener permits convenient refuelling with wood
- S-Thermatik NEO - the ultimate combustion control - maximum ease of use through operation via app or display
- S-Kamatik 2 - this draft control system ensures ideal combustion. It reduces soot generation and emissions.



Varia 2L-62 / Varia 2R-62 Varia 2L-62h / Varia 2R-62h

- Extremely low unit dimensions for especially compact fireplaces
- Very low flue gas header with connection options on the side, rear and top
- Beautiful, clean combustion with extremely gentle flame pattern
- Available with two door designs (hinged or push-up, room air sealed or room air dependent)
- Softclose door mechanism with maximum contact pressure on all sides and low-friction mechanism
- Linear technology with 30 mm printed ceramic glass on all sides
- Grated air supply with ash box and hinged grate

Model	Net price [€]
Varia 2L-62	2.490,00
Varia 2R-62	2.490,00
Varia 2L-62h	3.090,00
Varia 2R-62h	3.090,00

Optional accessories	Net price [€]
S-Thermatik NEO	1.290,00

Technical data	Manual operation	S-Thermatik NEO	Post-heating box
Nominal output	6.9 kW	7.2 kW	10.0 kW
Performance range	4.8 - 9.0 kW	5.0 - 9.4 kW	7.0 - 13.0 kW
Flue gas connection	Ø 180 or 200 mm		
Log length	ideally 25 cm / alternative 33 cm		
Optional	eboris 1300 black, eboris akku 1x small S-ESAM on request		

Technical data	Varia 2L-62 / Varia 2R-62	Varia 2-62h / Varia 2R-62h
Dimensions	610 x 420 x 1130 mm	715 x 511 x 1254 mm
Weight	approx. 190 kg	approx. 165 kg
Door function	hinged	push-up

Compliant with the requirements of:
DIN 13229, DIN plus, agreement according to art. 15a of Austrian B-VG, 2nd level of German immission protection regulation BImSchV

Accessories:

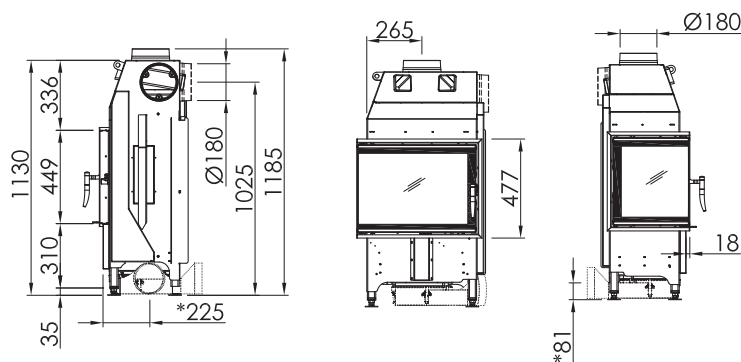
- Standard equipment

Optional accessories:

- S-Thermatik NEO - the ultimate combustion control - maximum ease of use through operation via app or display



Varia 2L-62 / Varia 2R-62



Varia 2L-62h / Varia 2R-62h

